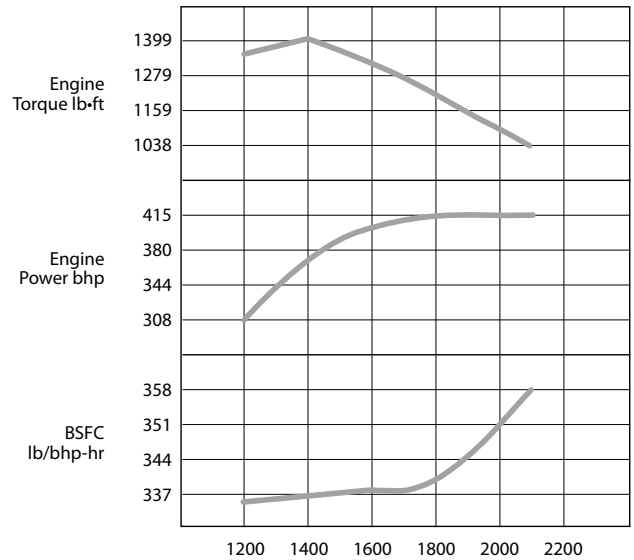
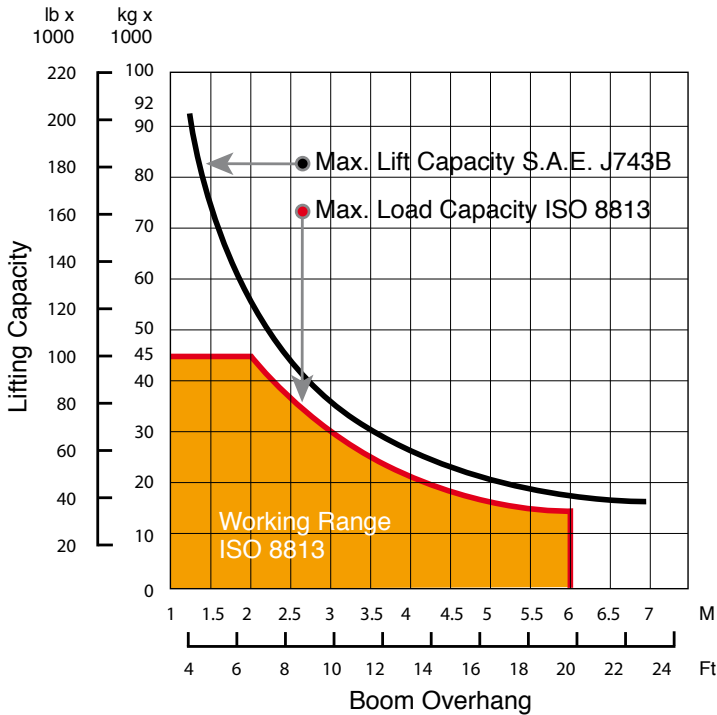


# DELTA PL95H

HYDROSTATIC PIPELAYER



# DELTA PL95H HYDROSTATIC PIPELAYER



## ENGINE

Make and model	Caterpillar C13 ACERT
I-6, 4-Stroke-Cycle Diesel	
Bore	130.0 mm (5.12 in)
Stroke	157.0 mm (6.18 in)
Displacement	12.5 L (762.8 in <sup>3</sup> )
Aspiration	Turbocharged
Aftercooled Compression Ratio	17.3:1
Rotation (from flywheel end)	Counterclockwise
Weight, Net Dry (approximate kg, lb)	939 kg, 2070 lb

## LIFTING CAPACITY

Maximum lift 95 ton

## CONTROL SYSTEM

Electronic governing, PTO speed control, Programmable ratings, Cold mode start strategy, Automatic altitude compensation, Power compensation for fuel temperature, Programmable low and high idle and total engine limit, Electronic diagnostics and fault logging, Engine monitoring system J1939 Broadcast (diagnostic and engine status) ADEM™ A4

## TRANSMISSION

Main pump: : 2 variable displacements, self-regulating,

axial piston type : Linde HPR 105-2  
 Max flow : 286.5 lit/min  
 Main pressure : 420 bar  
 Max pressure : 500 bar  
 Service pump : tandem gear type  
 Main pump : axial piston type: hydrostatic close circuit  
 Max flow : 286,5l/min x 2"  
 Final drive : separate oil circuit with oil cooler and replacement filter.

## BOOM

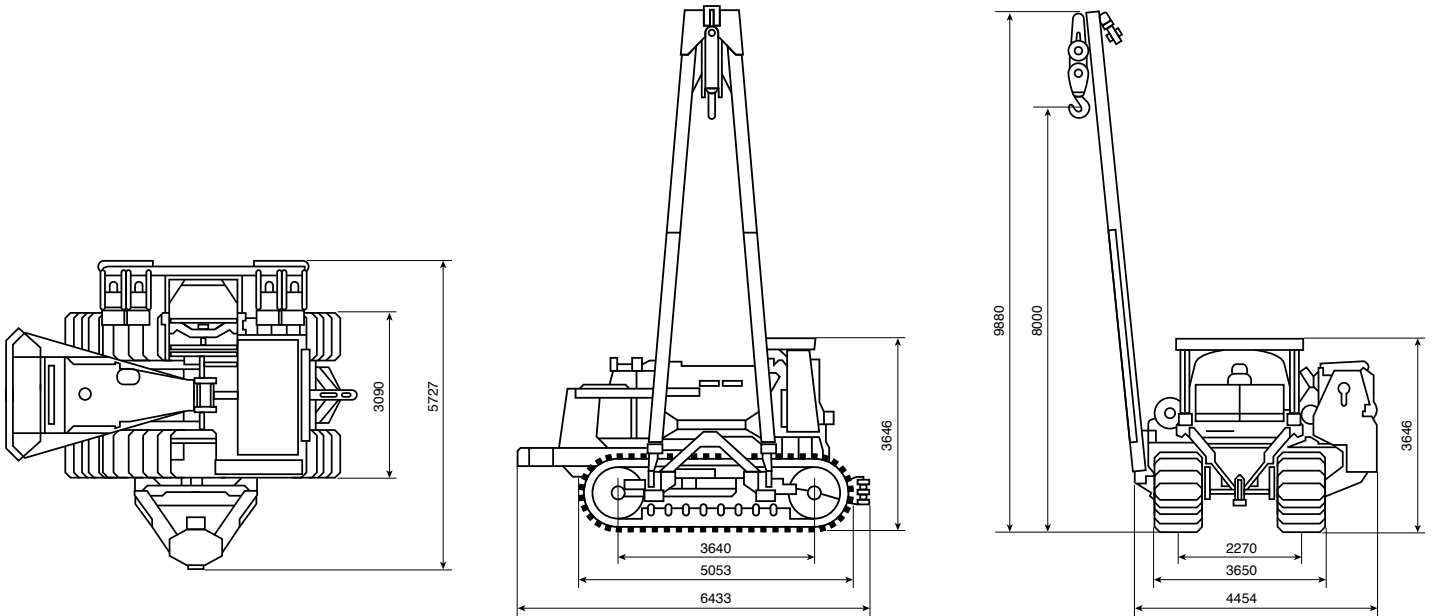
Type : Std. 9 m A frame welded box square section  
 Diameter wire rope : 19 mm - 3/4 in  
 Minimum breaking strength rope : 305 KN - 68,58 lb  
 Number of Hook lines : 6  
 Number of Boom lines : 5

## ADJUSTABLE COUNTERWEIGHTS

QD-CS: quick-disconnected counterweight system. For the possibility of disassembly in a short time (all the counterweight pack.)  
 Removable counterweight : 4 unit 2600 kg each  
 Total weight extendable : 10.400 kg

## WINCH

WINCH	Hook	Boom
Winches	Two Braden dual brake	
Drum diameter	270 mm	330 mm
Flange diameter	508 mm	546 mm
Drum length	343 mm	500 mm
Hooklines	8	



### HYDRAULIC WINCHES

Type	: Hydraulic controlled drums (reversible.) Driven by variable flow hydraulic pump and control valve block in open circuit.
Final drive	: Compact hydrostatic drive unit, two-stage planetary gear
Brakes	: Integrated multiple disk brakes, spring applied hydraulic release

### TRACK FRAME

8 roller track frame with sealed and lubricated Caterpillar D9 type chain	
Number of bottom rollers	: 8
Number of carrying rollers	: 2
Gauge	: 2.6 m - 8.5 ft
Standard shoes width	: 32 in

### ELECTRIC SYSTEM

Operating voltage	: 24 V
Capacity (total)	: 220 Ah
Starter capacity	: 7.5 Kw
Alternator	: 55 A

### FLUID CAPACITIES

Fuel tank	: 360 liters
Hydraulic system circuit	: 410 liters
Cooling system	: 60 liters
Engine oil	: 40 liters
Final drive each	: 24 liters

### CONTROLS

Joystick control winches  
Joystick counterweights  
Joystick controlled tracks

### WINCH SPECIFICATION

Main Pump	
Type	: Linde HPR 105-02 axial piston variable displacement pump
Valves	
Max capacity	: 286 lit/min
Working pressure	: 420 bar
Control Type	
Pilot units for remote control of winch motors and counterweight	
Progressive and sensitive operations	
Service Pump	
Type	: Gear pump
Max capacity	: 10 liters.min - 2.6 U.S. gal/min
Working pressure	: 30 bar - 435 p.s.i.

### OPTIONS

- Delta LMS Safety System
- E-rops enclosed cab with heater and/or Air conditioning.
- Cold weather kit
- Rear winch
- GPS telemetry system

### WARRANTY

1 Year Limited Warranty

# DELTA PL95H

## HYDROSTATIC PIPELAYER

### STANDARD EQUIPMENT

- Antifreeze
- Automatic boom maximum stopper
- Boom length 9 m
- Brakes, foot hydraulic
- Bumper, front
- Counterweights, hydraulically controlled
- Drawbar, fixed
- Fan blower
- Filters, engine oil, full flow and by-pass with replaceable elements
- Filters transmission
- Filter hydraulic system
- Fuel filter
- Guards
  - Brake
  - Fuel level
  - Temp. oil reducer
  - Temp. oil exchanger
  - Press. Boost
  - Filter tank
  - Oil level
  - Filter exchanger
- Winches, two separate, for hook and boom
- Rollbar certificate
- Instrument panel light
- Horn
- Lights w/guards, 4 front an tractor, 2 rear
- Master disconnect switch



**DELTA**  <sup>®</sup>

The Netherlands

#### Delta Machinery

Haven M529, Port of Moerdijk  
Mark S Clarkelaan 6  
4761RK Zevenbergen  
The Netherlands

Tel + 31 888 966 966  
Fax + 31 888 966 950

info@deltamachinery.nl  
www.deltamachinery.nl

United Arab Emirates

#### Ras Al Khaimah Machineries LLC

Kharran Road, Al Filyah  
Ras Al Khaima  
United Arab Emirates

Tel + 9717 2289338  
Fax + 9717 2289337

rakplant@emirates.net.ae  
www.rakmachineries.com

United Arab Emirates

#### Global Pipeline Supplies FZCO

177553 Jebel Ali Free Zone  
Dubai  
United Arab Emirates

Tel +971 50 9223749  
Fax +971 48833545

rpt@dial.pipex.com  
www.glpssupplies.com