

D8T WH

Waste Handler



Engine

Engine Model	Cat® C15 ACERT™	
Emissions	U.S. Tier 4 Interim/EU Stage IIIB	
Net Power – ISO 9249	231 kW	310 hp
Net Power – ISO 9249 (DIN)		314 hp

Weights

Operating Weight – SU Blade WHA	38 887 kg	85,650 lb
Operating Weight – LGP WHA	41 436 kg	91,270 lb
Shipping Weight – WHA	32 758 kg	72,220 lb
Shipping Weight – LGP WHA	35 308 kg	77,840 lb

D8T Waste Handler Features

Powerful Productivity

Standard electro-hydraulic controls help improve precision and response. Dedicated hydraulics and machine control systems aid overall productivity. Features like Enhanced Auto Shift, Multi Velocity Program and hydraulic demand fan help reduce overall fuel use and reduce operating costs.

Operator Station

Ease of operation, cab comfort and layout help keep operators focused and more productive.

Engine and Emissions Technology

Cat® C15 ACERT™ engine and Cat aftertreatment solutions meet U.S. EPA Tier 4 Interim and EU Stage IIIB emission standards.

Waste Handling Features

Application specific guarding and attachments help optimize the machine for landfill performance, service life and uptime.

Integrated Technologies

Grade Control Ready feature means easy installation of the performance enhancing Cat AccuGrade™ system. Cat Product Link helps fleet managers maximize fleet utilization and control costs.

Serviceability and Customer Support

Ease of serviceability, Cat dealer support expertise and machine rebuild capability help to reduce overall owning and operating costs.

Note: Some options and blades may not be available in all areas. Please see your Cat dealer for details.



Contents

Operator Station and Controls.....	3
Engine and Emissions Technology.....	4
Powertrain.....	5
Cooling System.....	5
Waste Handling Guarding and Seals.....	6
Optional Waste Handling Attachments.....	7
Integrated Technologies.....	8
Undercarriage.....	9
Sustainability.....	9
Serviceability and Customer Support.....	10
Specifications.....	11

The Cat® D8T Waste Handler has earned a reputation for best-in-class versatility, productivity and resale value. Landfill customers choose the D8T WH because it excels at multiple tasks from pushing trash and spreading cover to cell construction and closing. Cat Waste Handlers are designed and built from the frame up to handle the demands of landfill work – and they do it with industry leading comfort and reliability. The D8T WH meets U.S. Tier 4 Interim/ EU Stage IIIB emission standards.

Operator Station and Controls

Ergonomically designed for ease of operation

The D8T cab is designed and equipped for operator productivity, safety and comfort. An isolation-mounted cab reduces noise and vibration. Large windows, tapered hood and notched fuel tank offer excellent all-around visibility.

Updated dash and instrumentation streamline the display in a format that is common across the Cat tractor line. An air-ride suspension seat is standard, with a heated/ventilated seat as an option. Heating and air conditioning controls are conveniently located and well placed air vents add to operator comfort. Carbon filters are available for the cab air filters to help reduce odor.

Steering and Dozer Controls

Responsive electro-hydraulic differential steering controls direction and degree of turns, forward-reverse shifting, and gear selection in a single control handle. Ergonomically designed dozer and rear implement controls offer ease of operation, precise control and enhanced operator comfort.

Auto-Shift/Auto-Kickdown

Operators can pre-select a forward and reverse speed setting for easy, efficient directional changes. Auto-shift settings include first forward to second reverse and second forward to second reverse. Auto-kickdown allows the transmission to automatically downshift when significant load increases are detected.

In-Cab Safety Features

The Operator Not Present monitoring system senses when an operator has left the seat. When the transmission is in neutral, and at zero ground speed, the Operator Not Present monitoring system sets the park brake and disables the implements to prevent unintentional machine/implement movement during ingress or egress.

When activated, the Implement/Work Tool Lock-Out Switch prevents inadvertent operation of hydraulic work tool attachments.

An in-cab monitoring system provides electronic Fluid Level Verification at startup for the coolant, powertrain and engine oil systems. This reduces the need to climb on the machine to check fluid levels prior to operation.



Engine and Emissions Technology

Reliable, integrated solutions



The D8T features a Cat C15 ACERT™ engine and a Cat Clean Emissions Module to deliver the performance and efficiency that customers demand, while meeting U.S. EPA Tier 4 Interim/ EU Stage IIIB emission standards.

Cat NO_x Reduction System

The Cat NO_x Reduction System captures and cools a small quantity of exhaust gas, then routes it into the combustion chamber where it drives down combustion temperatures and reduces NO_x emissions.

Aftertreatment Technologies

A **Diesel Oxidation Catalyst (DOC)** uses a chemical process to eliminate regulated emissions present in the exhaust system. The **Diesel Particulate Filter (DPF)** traps particulate matter that is carried into the exhaust stream. System components are contained in the Cat Clean Emissions Module (CEM) to protect components, minimize the aftertreatment footprint and simplify maintenance. In Waste Handlers, the Clean Emissions Module is insulated for protection in high debris applications.

Cat Regeneration System

The Cat Regeneration System is designed to work transparently, without any interaction needed from the operator. Under many operating conditions, engine exhaust is hot enough to oxidize soot through passive regeneration.

If supplemental regeneration is needed, the Cat Regeneration System elevates exhaust gas temperatures to remove soot in the Diesel Particulate Filter (DPF). This process happens automatically, but the operator can initiate the cycle when convenient or interrupt regeneration as needed. A soot level monitor and regeneration indicator lights are integrated into the dash display.

Delayed Engine Shutdown

Delayed Engine Shutdown feature is available to allow the machine to cool immediately after a heavy work load or regeneration cycle.

Engine Idle Shutdown Timer

An optional Engine Idle Shutdown Timer will sound a warning and shut down the engine after the machine has been idling for a pre-set period of time.





Powertrain

Powerful efficiency

The power shift transmission and differential steering work with the C15 ACERT engine to deliver the outstanding power, productive performance and reliability expected from Cat Track-Type Tractors. Differential steering maintains full power to both tracks to provide best-in-class turning with a loaded blade. When one track speeds up, the other slows down an equal amount. Maneuverability – especially with large blade loads – is improved, as well as cycle times in some applications. Greater load capacity, power and speed control are possible in soft underfoot conditions on steep slopes.

Enhanced Auto Shift

The new Enhanced Auto Shift feature uses the simple “shift up, idle back” principle during forward and reverse travel to save fuel and improve overall dozing cycle fuel efficiency. The feature also simplifies machine operation for added operator comfort.

Cooling System

Durable and efficient

The D8T Waste Handler offers outstanding cooling performance and serviceability. The engine radiator, Air To Air After Cooler (ATAAC), and hydraulic oil cooler are packaged in a single plane. Aluminum bar plate construction provides durability and allows for higher heat transfer and superior corrosion resistance. The standard cores feature six fins per inch to allow debris to pass through and reduce plugging concerns.

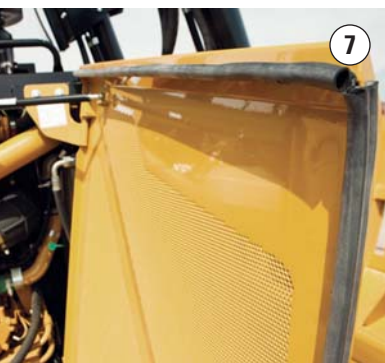
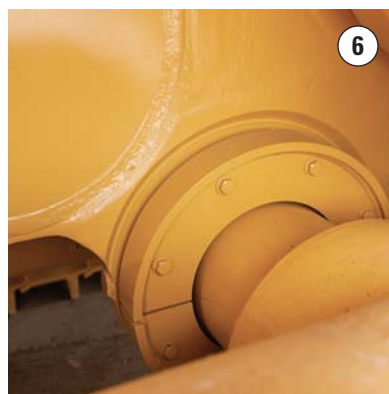
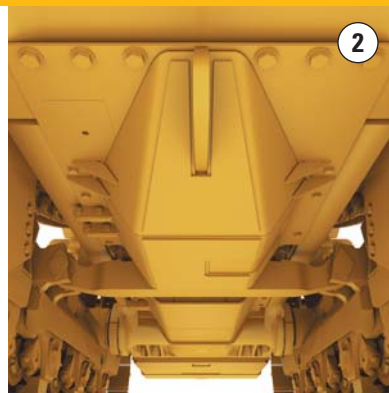
In cooler conditions, a hydraulically driven demand fan reduces speed to conserve power, save fuel and decrease sound levels.

An automatic reversing fan changes the fan rotation while the machine is backing up or stationary. This feature includes access slots in the side of the radiator guard for cleaning access. ROPS-mounted air conditioning removes the condenser unit from under the hood. This helps reduce heat load, improves cleaning access and increases ambient capability.



Waste Handling Guarding and Seals

Features to help maximize performance



Cat Waste Handlers are purpose-built to handle the rigors of landfill work. Factory installed guarding and debris-resistant features help protect vital machine components to maximize service life and uptime.

- Hinged cleanout slot covers offer quick access to the front side of the radiator cores for cleaning.
- Engine enclosures (1) have perforated hood and side panels to help prevent airborne debris from entering the engine compartment and helps reduce radiator plugging. (Sound suppression arrangement features solid doors. Perforated hood is replaced with larger rectangular perforations.)
- Heavy-duty handles (1) are manufactured from solid steel to withstand the rigors of landfill work.
- Insulated Cat Clean Emissions Module.
- Bottom guards (2) chassis guards and tilt cylinder guards (3) help protect against contact damage and help keep debris out of vital machine compartments.
- Lights (4) are mounted up and away from the concentrated debris environment for excellent illumination of the work area and protection from debris.
- Guarding helps protect implement hydraulic oil tank, battery box and fuel tank (5) in high debris applications.
- Optional rear striker bars (5) incorporate a rigid drawbar and housing with large access doors for storage on machines not equipped with rippers. The rear striker bars are counterweight-ready.
- Final drive guarding helps prevent wire wrap. Idler, pivot shaft (6) and final drive seal guards help keep debris from wrapping around and damaging the Duo-Cone™ seals.
- Additional sealing (7) helps eliminate debris entry from key areas.
- High-capacity ducted alternator provides additional power required for electrical accessories. Ducting helps prevent debris from entering the alternator for longer life.
- Air conditioner condenser (8) and fans are mounted on the back of the ROPS to protect from waste materials and reduce heat/potential debris load under the hood for better cooling. Machine height is maintained.
- Turbine air precleaner with screen – delivers clean air and provides longer filter life.



Optional Waste Handling Attachments

Recommended for improved performance in landfill applications

A number of optional features are recommended to help customers get optimal performance from Cat Waste Handlers.

- Cat landfill blades increase the dozing capacity in trash and help prevent material from spilling over the blade and entering the radiator. Wear plates help prolong service life when working in highly abrasive materials.
- Front striker bars angled design helps prevent debris from riding up the track for greater machine protection.
- Center-hole track shoes help extend service life by reducing refuse packing within the track. The center hole design allows the sprocket to punch out most dirt and debris.
- Multi-shank rippers are available to penetrate tough material fast.
- Cab roof-mounted strobe light indicates the machine is operational.
- Auxiliary disconnect switch, located on the left side of the operator seat at knee level, allows the operator to access the disconnect switch quickly.
- Enhanced clean air module increases cab air pressure to help keep dust out and provide additional air filtration, greatly increasing cab air filter life.
- Rear vision camera – display mounted in the front of the cab helps the operator more easily see behind the machine, enhancing overall visibility and safety.
- High intensity discharge lighting with additional lamps for optimum visibility under low light conditions.



Integrated Technologies

Solutions to make work easier and more efficient

Computer Aided Earthmoving System (CAES)

The Computer Aided Earthmoving System (CAES) is a high-technology landfill tool that allows machine operators to hold tighter grades/slopes. This helps conserve valuable airspace and cover soil without stakes and crews. The system uses Global Navigation Satellite System (GNSS) technology, machine mounted components, a radio network and office management software to deliver real-time information on an in-cab display. Additionally, CAES permits the identification of site specific storage areas such as hazardous waste, medical, industrial, organic, and other materials which require special handling or a record of their placement.

AccuGrade™

AccuGrade™ is a dealer installed machine control and guidance system that uses Laser, Global Navigation Satellite System (GNSS) and/or Universal Tracking Station (UTS) technology, machine mounted components and off-board hardware. This system provides accurate blade positioning information and automatics for greater efficiency. The D8T Waste Handler is Grade Control Ready, with deeply integrated harnesses incorporated into the machine during assembly. It can also be ordered AccuGrade Ready, with optional brackets and hardware installed, making the tractor ready to plug in the dealer installed AccuGrade system.

Cat Product Link

Remote monitoring with Product Link improves overall fleet-management effectiveness. Product Link is deeply integrated into machine systems. Events and diagnostic codes, as well as hours, fuel, idle time and other detailed information are transmitted to a secure web based application, VisionLink™. VisionLink includes powerful tools to convey information to users and dealers, including mapping, working and idle time, fuel level and more.

Undercarriage

Engineered for performance

The D8T WH features the Cat elevated sprocket design that isolates final drives, axles, and steering components from harsh impacts. The undercarriage is designed for easy clean-out, and a modular design aids serviceability to help reduce maintenance costs.

Heavy Duty Undercarriage is recommended for waste handling applications. Components are designed for extended wear life in abrasive conditions and high impact applications.

Several track shoe options are available, but a center-hole track shoe is recommended when working in trash to help shed waste that might otherwise help accelerate internal track wear.



Sustainability

Thinking generations ahead

The Cat D8T WH is designed to benefit your business, and reduce emissions.

- Meets U.S. Tier 4 Interim/EU Stage IIIB emission standards.
- Fuel efficient engine, and features like Enhanced Auto Shift and a hydraulic demand fan, helps decrease overall fuel consumption.
- Technologies like AccuGrade and Product Link help improve overall efficiency, saving fuel and fluids, as well as wear and tear on equipment.
- Grab handles, steps, lighting packages and a ground level service center help enhance job site safety.
- Major components are built to be rebuilt, eliminating waste and saving customers money by giving the machine and/or major components a second – and even third – life.



Serviceability and Customer Support

When uptime counts



Ease of Serviceability

The D8T WH offers full left-side engine serviceability, including fill tube, dipstick, air cleaner, fuel filters, oil filter and coolant level check. Cooling system access is also improved for inspection and cleaning. To reduce maintenance cost and time, the D8T WH features a new high capacity filter element and improved powertrain filter bypass strategy to extend service intervals. The in-cab monitoring system also provides electronic fluid level verification at startup.

Ground Level Service Center

The new ground level service center is accessible on the left hand fender without setting foot on the machine, giving easy access to the battery disconnect and secondary engine shutdown switches. Optional access light switch, digital hour meter and jacket water heater plug are also available.

Access/Egress

Newly designed steps and handles make climbing on and off the tractor easier than ever. An access light switch is included with optional light packages that turns on the cab-mounted exterior light for night time visibility when mounting/dismounting the machine.

Renowned Cat Dealer Support

From helping you choose the right machine to knowledgeable ongoing support, Cat dealers provide the best in sales and service. Manage costs with preventive maintenance programs like Custom Track Service, Scheduled Oil Sampling (S·O·SSM) analysis, and guaranteed maintenance contracts. Stay productive with best-in-class parts availability. Cat dealers can even help you with operator training to help boost your profits.

And when it's time for machine replacement, your Cat dealer can help you save even more with Genuine Cat Remanufactured parts. Receive the same warranty and reliability as new products at cost savings of 40 to 70 percent for powertrain and hydraulic components.



D8T Waste Handler Specifications

Engine

Engine Model	Cat® C15 ACERT™	
Global Emissions	U.S. Tier 4 Interim/ EU Stage IIIB	
Gross Power – SAE J1995	259 kW	348 hp
Gross Power – ISO 14396	237 kW	318 hp
Gross Power – ISO 14396 (DIN)		322 hp
Net Power – SAE J1349	231 kW	310 hp
Net Power – ISO 9249	231 kW	310 hp
Net Power – ISO 9249 (DIN)		314 hp
Net Power – EU 80/1269	231 kW	310 hp
Bore	137 mm	5.4 in
Stroke	172 mm	6.75 in
Displacement	15.2 L	928 in ³

- Engine ratings apply at 1,850 rpm.
- Net power advertised is the power available at the flywheel when the engine is equipped with fan, air cleaner, muffler, and alternator.
- No derating required up to 3566 m (11,700 ft) altitude, beyond 3566 m (11,700 ft) automatic derating occurs.

Service Refill Capacities

Fuel Tank	643 L	170 gal
Cooling System	77 L	20.3 gal
Engine Crankcase*	38 L	10 gal
Powertrain	155 L	41 gal
Final Drives (each)	12.5 L	3.3 gal
Roller Frames (each)	65 L	17.2 gal
Pivot Shaft Compartment	40 L	10.6 gal
Hydraulic Tank	75 L	19.8 gal

* With oil filters.

- All nonroad U.S. EPA Tier 4, European Union (EU) Stage IIIB and IV, and Japan (MLIT) Step 4 diesel engines are required to use only Ultra Low Sulfur Diesel (ULSD) fuels containing 15 ppm (mg/kg) sulfur or less. Biodiesel blends up to B20 are acceptable when blended with 15 ppm (mg/kg) sulfur or less ULSD and when the biodiesel feedstock meets ASTM D7467 specifications. Cat® DEO-ULS™ or oils that meet the Cat ECF-3, API CJ-4, and ACEA E9 specifications are required.

Weights

Operating Weight – SU Blade WHA	38 887 kg	85,650 lb
Operating Weight – LGP WHA	41 436 kg	91,270 lb
Shipping Weight – WHA	32 758 kg	72,220 lb
Shipping Weight – LGP WHA	35 308 kg	77,840 lb

- Operating Weight: Includes hydraulic controls, blade tilt cylinder, coolant, lubricants, 100% fuel, ROPS, FOPS cab, SU-landfill blade, striker bar, counterweight sections 610 mm (24 in) MS shoe, and operator.
- Shipping Weight: Includes coolant, lubricants, 10% fuel, ROPS, FOPS cab, striker bar, counterweight sections and 610 mm (24 in) MS shoes.

Undercarriage

Shoe Type	Moderate Service	
Width of Shoe	610 mm	24 in
Width of Shoe (LGP)	965 mm	38 in
Shoes/Side	44	
Grouser Height	78 mm	3 in
Pitch	216 mm	8.5 in
Ground Clearance	618 mm	24.3 in
Track Gauge	2082 mm	82 in
Track Gauge (LGP)	2340 mm	92 in
Length of Track on Ground	3207 mm	10.5 ft
Ground Contact Area	3.58 m ²	5,554 in ²
Ground Contact Area (LGP)	6.2 m ²	9,576 in ²
Track Rollers/Side	8	
Number of Carrier Rollers	1 per side (optional)	

- Positive Pin Retention Track.

D8T Waste Handler Specifications

Hydraulic Controls

Pump Type	Piston-type, Variable Displacement	
Pump Output (Steering)	276 L/min	73 gal/min
Pump Output (Implement)	226 L/min	60 gal/min
Tilt Cylinder Rod End Flow	130 L/min	34 gal/min
Tilt Cylinder Head End Flow	170 L/min	45 gal/min
Bulldozer Relief Valve Setting	24 000 kPa	3,480 psi
Tilt Cylinder Relief Valve Setting	24 000 kPa	3,480 psi
Ripper (Lift) Relief Valve Setting	24 000 kPa	3,480 psi
Ripper (Pitch) Relief Valve Setting	24 000 kPa	3,480 psi
Steering	39 200 kPa	5,700 psi

- Steering Pump output measured at 2,300 rpm (pump speed) and 30 000 kPa (4,351 psi).
- Implement Pump output measured at 1,850 rpm and 6895 kPa (1,000 psi).
- Electro-hydraulic pilot valve assists operations of ripper and dozer controls. A standard hydraulic system includes four valves.
- Complete system consists of pump, tank with filter, oil cooler, valves, lines, linkage and control levers.

Transmission

1 Forward	3.4 km/h	2.1 mph
2 Forward	6.1 km/h	3.8 mph
3 Forward	10.6 km/h	6.6 mph
1 Reverse	4.5 km/h	2.8 mph
2 Reverse	8 km/h	5 mph
3 Reverse	14.2 km/h	8.8 mph
1 Forward – Drawbar Pull (1000)	618.5 N	139 lbf
2 Forward – Drawbar Pull (1000)	338.2 N	76 lbf
3 Forward – Drawbar Pull (1000)	186.9 N	42 lbf

Blades

Type	8SU Landfill	
Capacity (SAE J1265)	20 m ³	26.1 yd ³
Width (over end bits)	3940 mm	12.9 ft
Height	2464 mm	8.1 ft
Digging Depth	582 mm	22.9 in
Ground Clearance	1231 mm	48.3 in
Maximum Tilt	951 mm	37.4 in
Weight* (without hydraulic controls)	5466 kg	12,025 lb
Total Operating Weight**	38 887 kg	85,650 lb
Type	8U Landfill	
Capacity (SAE J1265)	24.8 m ³	32.4 yd ³
Width (over end bits)	4267 mm	14 ft
Height	2515 mm	8.25 ft
Digging Depth	582 mm	22.9 in
Ground Clearance	1231 mm	48.3 in
Maximum Tilt	1028 mm	40.5 in
Weight* (without hydraulic controls)	6313 kg	13,888 lb
Total Operating Weight**	39 734 kg	87,513 lb
Type	8SU LGP Landfill	
Capacity (SAE J1265)	21.1 m ³	27.6 yd ³
Width (over end bits)	4520 mm	14.8 ft
Height	2465 mm	8.09 ft
Digging Depth	582 mm	22.9 in
Ground Clearance	1231 mm	48.3 in
Maximum Tilt	729 mm	28.7 in
Weight* (without hydraulic controls)	5624 kg	12,400 lb
Total Operating Weight**	41 594 kg	91,645 lb

*Includes blade tilt cylinder.

**Operating Weight: Includes hydraulic controls, blade tilt cylinder, coolant, lubricants, 100% fuel, ROPS, FOPS cab, blade, Waste Handling Arrangement, 610 mm (24 in) MS shoes, and operator.

Rippers

Type	Single-Shank, Adjustable Parallelogram	
Number of Pockets	1	
Maximum Clearance Raised (under tip, pinned in bottom hole)	636 mm	25 in
Maximum Penetration (standard tip)	1130 mm	44.4 in
Maximum Penetration Force (shank vertical)	127.3 kN	28,620 lb
Pry out Force	222.7 kN	50,070 lb
Weight (without hydraulic controls)	4085 kg	9,005 lb
Total Operating Weight* (with SU-Blade and Ripper)	37 506 kg	82,630 lb
Type	Multi-Shank, Adjustable Parallelogram	
Number of Pockets	3	
Overall Beam Width	2464 mm	97 in
Maximum Clearance Raised (under tip, pinned in bottom hole)	593 mm	23.35 in
Maximum Penetration (standard tip)	780 mm	30.7 in
Maximum Penetration Force (shank vertical)	124.2 kN	27,920 lb
Pry out Force (Multi-Shank Ripper with one tooth)	227.9 kN	51,230 lb
Weight (one shank, without hydraulic controls)	4877 kg	10,752 lb
Additional Shank	332 kg	732 lb
Total Operating Weight* (with SU-Blade and Ripper)	38 298 kg	84,377 lb
*Total Operating Weight: Includes hydraulic controls, blade tilt cylinder, coolant, lubricants, 100% fuel, ROPS, FOPS cab, blade, Waste Handling Arrangement, 610 mm (24 in) MS shoes, and operator.		

Winches

Winch Model	PA14OVS	
Weight*	1790 kg	3,947 lb
Oil Capacity	15 L	4 gal
Increased Tractor Length	563 mm	22.2 in
Winch Length	1430 mm	56.3 in
Winch Case Width	1160 mm	45.6 in
Drum Width	320 mm	12.6 in
Flange Diameter	457 mm	18 in
Recommended Cable Size	29 mm	1.13 in
Optional Cable Size	32 mm	1.25 in
Drum Capacity – Recommended Cable Size	84 m	276 ft
Drum Capacity – Optional Cable	59 m	193 ft
Cable Ferrule Sizes – Outside Diameter	60 mm	2.36 in
Cable Ferrule Sizes – Length	70 mm	2.76 in

- Variable speed, hydraulically driven, dual braking system, three roller fairlead.

* Weight: Includes pump and operator controls.

Standards

ROPS/FOPS	ISO 3471-2008, ISO 3449-2005
Brakes	ISO 10265-2008

Cab – North American Arrangement

The operator sound exposure Leq (equivalent sound pressure level) measured according to the work cycle procedures specified in ANSI/SAE J1166 OCT98 is 81 dB(A), and as measured by ISO 6396:2008 is 77 dB(A), for cab offered by Caterpillar, when properly installed and maintained and tested with the doors and windows closed.

- Hearing protection may be needed when operating with an open cab (when not properly maintained or doors/windows open) for extended periods and noisy environment.
- The exterior sound pressure level for the standard machine measured at a distance of 15 meters according to the test procedures specified in SAE J88 APR95, mid-gear-moving operation, is 89 dB(A).

Cab – European Arrangement

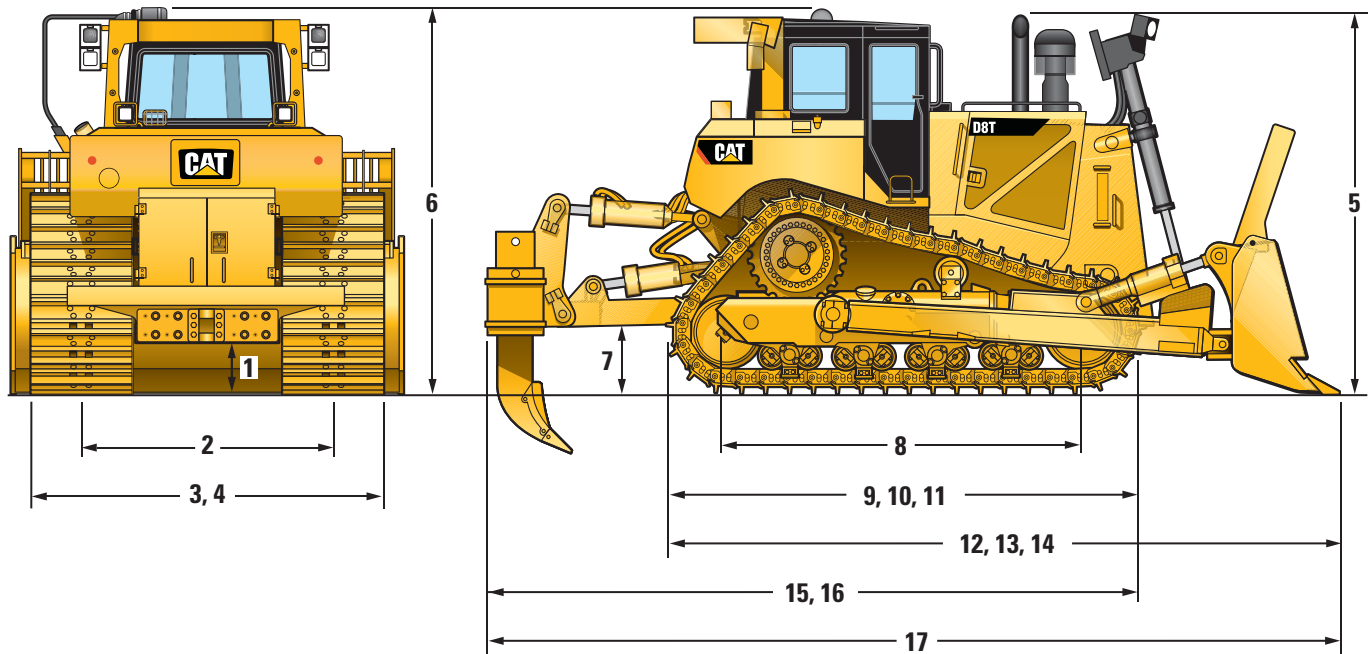
The operator sound exposure Leq (equivalent sound pressure level) measured according to the work cycle procedures specified in ANSI/SAE J1166 OCT98 is 81 dB(A), and as measured by ISO 6396:2008 is 76 dB(A), for cab offered by Caterpillar, when properly installed and maintained and tested with the doors and windows closed.

- Hearing protection may be needed when operating with an open cab (when not properly maintained or doors/windows open) for extended periods and noisy environment.
- The exterior sound pressure level for the machine measured by ISO 6395:2008 is 113 dB(A).

D8T Waste Handler Specifications

Dimensions

All dimensions are approximate.



	STD		LGP	
1 Ground Clearance	618 mm	24.3 in	618 mm	24.3 in
2 Track Gauge	2080 mm	6.8 ft	2340 mm	7.7 ft
3 Width without (Standard Shoe) Trunnions	2693 mm	8.8 ft	2953 mm	9.7 ft
4 Width Over Trunnions	3057 mm	10.0 ft	3317 mm	10.9 ft
5 Height (Top of Stack)	3518 mm	11.5 ft	3518 mm	11.5 ft
6 Height (To Top of Roof-Mounted Precleaner)	3706 mm	12.1 ft	3706 mm	12.1 ft
7 Drawbar Height (Center of Clevis)	708 mm	27.9 in	708 mm	27.9 in
8 Length of Track on Ground	3207 mm	10.5 ft	3207 mm	10.5 ft
9 Overall Length Basic Tractor	4641 mm	15.2 ft	4641 mm	15.2 ft
10 Length Basic Tractor with Striker Bars with Two Counterweights	5256 mm	17.2 ft	5256 mm	17.2 ft
11 Length Basic Tractor with Drawbar	4998 mm	16.4 ft	4998 mm	16.4 ft
12 Length Basic Tractor with Winch	5275 mm	17.3 ft	5275 mm	17.3 ft
13 Length with SU-Blade	6091 mm	20.0 ft	6091 mm	20.0 ft
14 Length with U-Blade	6434 mm	21.1 ft	6434 mm	21.1 ft
15 Length with Single-Shank Ripper (Lowered)	6422 mm	21.0 ft	6422 mm	21.0 ft
16 Length with Multi-Shank Ripper (Lowered)	6344 mm	20.8 ft	6344 mm	20.8 ft
17 Overall Length (SU-Blade/SS Ripper, Lowered)	7872 mm	25.8 ft	7872 mm	25.8 ft

D8T WH Waste Handler

For more complete information on Cat products, dealer services, and industry solutions, visit us on the web at www.cat.com

© 2012 Caterpillar Inc.
All rights reserved

Materials and specifications are subject to change without notice. Featured machines in photos may include additional equipment. See your Cat dealer for available options.

CAT, CATERPILLAR, SAFETY.CAT.COM, their respective logos, "Caterpillar Yellow" and the "Power Edge" trade dress, as well as corporate and product identity used herein, are trademarks of Caterpillar and may not be used without permission.

AEHQ6588 (02-2012)

